

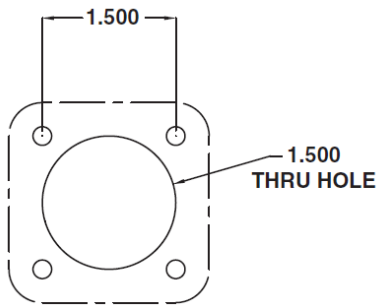
**Panel Mount 400A/600V, Double Set Screw  
NEMA 3R, 4 when mated with inline cam.**

**Mounting Instructions:**

1. Prepare panel as shown in mounting pattern below.
2. Mount inlet to panel using Qty (4) #10-32 UNF bolts (not provided).

**Wiring Instructions:**

1. Use 2/0 to 4/0 cable, copper.
2. Wrap copper foil around exposed wire
3. Using an (7/32") Allen wrench, tighten 1/2-20 set screws to 150 in-lbs (17 N-m) of torque.



Mounting Pattern: Not to Scale (Dimensions in inches)

Cable Size AWG	75° C Cable	90° C Cable
2/0	235A	300A
3/0	275A	350A
4/0	315A	400A

**CAUTION - RISK OF ELECTRIC SHOCK.  
DO NOT DISCONNECT UNDER LOAD  
ATTENTION - RISQUE DE CHOC ÉLECTRIQUE.  
NE PAS DÉBRANCHER SOUS CHARGE**



Tech Support and Customer Service 800.307.6702  
Email: [Technical@Marinco.com](mailto:Technical@Marinco.com)  
Website: [www.marincopowerproducts.com](http://www.marincopowerproducts.com)

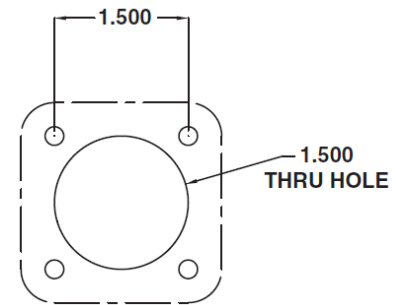
**Panel Mount 400A/600V, Double Set Screw  
NEMA 3R, 4 when mated with inline cam.**

**Mounting Instructions:**

1. Prepare panel as shown in mounting pattern below.
2. Mount inlet to panel using Qty (4) #10-32 UNF bolts (not provided).

**Wiring Instructions:**

1. Use 2/0 to 4/0 cable, copper.
2. Wrap copper foil around exposed wire
3. Using an (7/32") Allen wrench, tighten 1/2-20 set screws to 150 in-lbs (17 N-m) of torque.



Mounting Pattern: Not to Scale (Dimensions in inches)

Cable Size AWG	75° C Cable	90° C Cable
2/0	235A	300A
3/0	275A	350A
4/0	315A	400A

**CAUTION - RISK OF ELECTRIC SHOCK.  
DO NOT DISCONNECT UNDER LOAD  
ATTENTION - RISQUE DE CHOC ÉLECTRIQUE.  
NE PAS DÉBRANCHER SOUS CHARGE**



Tech Support and Customer Service 800.307.6702  
Email: [Technical@Marinco.com](mailto:Technical@Marinco.com)  
Website: [www.marincopowerproducts.com](http://www.marincopowerproducts.com)