

product specifications for:

305FI

Item #: 305FI

Description

Flanged Inlet, Locking, 2-Pole 3-Wire

Electrical Specifications

Max. Amperage: 30A
Max. Voltage: 125V AC

Material Specifications

Flange: Nylon
Plug Body: Nylon
End Cap: Clear Polycarbonate
Terminals: Clamp-type, Brass
Terminal Screws: 10-32 Color-Coded Brass
Contacts: Solid Brass

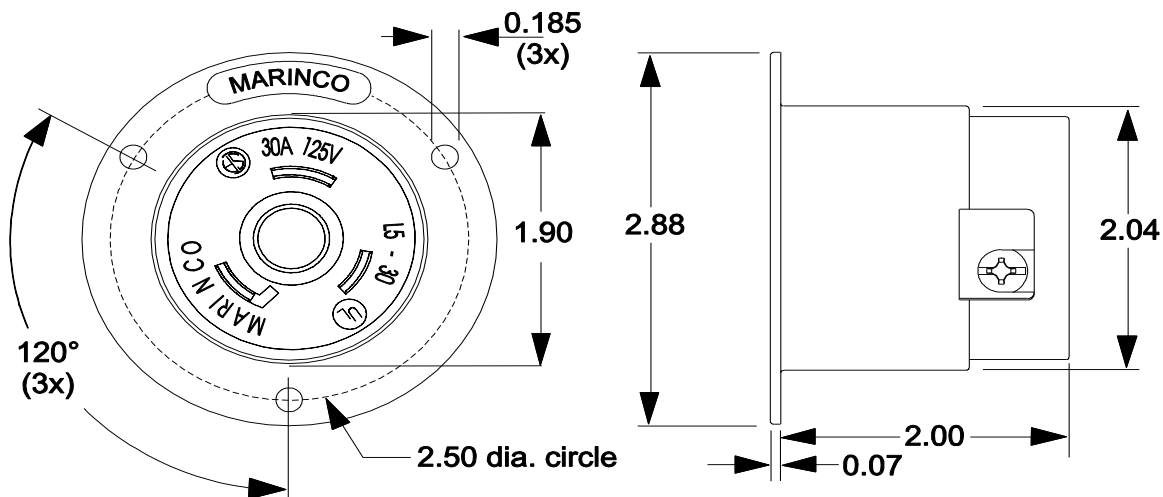


Mechanical Specification

Connection Type(s): NEMA L5-30P Straight Blade

Standards and Certifications

UL Listed: File E57672
CSA Listed: File LR81290



toll free 800.307.6702 | marincopowerproducts.com

©2015 Marinc Power Products. All rights reserved.

MARINCO
power products