

PC20FCI



new product:

20 Amp Power Connectors

Introducing the Marincó Power Products 20 Amp Power Connectors. Ideal for use with LED lighting, portable equipment, and other loads such as multi-bank video monitors, these connectors are interchangeable with other brands. Both inline (female) and panel mounted (male) versions are available. The product is also color coded for input (blue) and output (gray) to ease in proper wiring connection. Additional gasketing provides an IP44 degree of dust and moisture protection.

Rated 20A 500V AC/DC

Color coded for input and output

Rugged, easy-to-use locking design

UL, cUL recognized component
file # E479888

CE approved

IP44 rating

12-14 AWG cable range

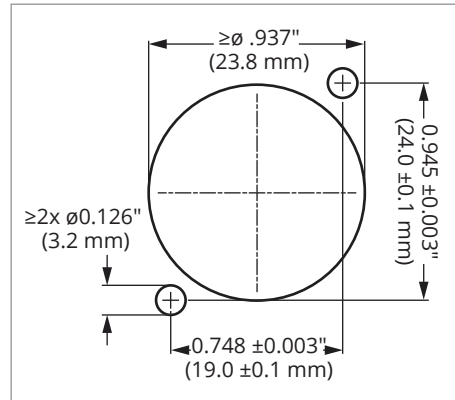
Copper contacts with gold and silver plating

new product:

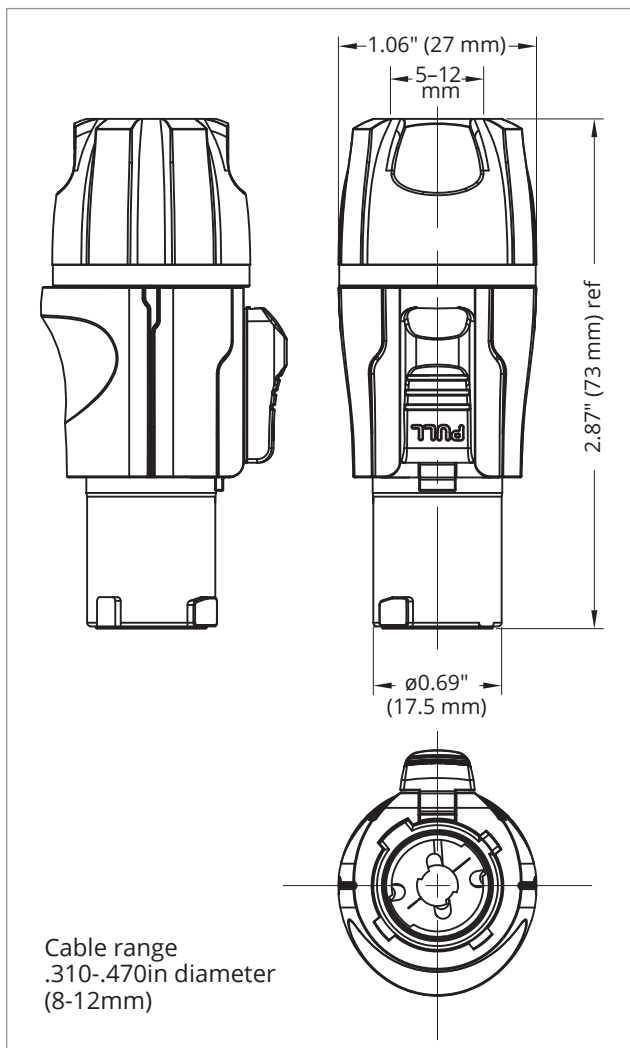
20 Amp Power Connectors

Part #	Description
PC20FCI	20A 500V Female Connector Input, Blue
PC20FCO	20A 500V Female Connector Output, Gray
PC20MRI	20A 500V Male Panel Mount Input, Blue
PC20MRO	20A 500V Male Panel Mount Output, Gray

Panel Cutout (rear side)



Connectors



Panel Mount

