

product specifications for:
CLS Series 16 Contact

Item #: CLS40FCONT

Description

FEMALE CLS SERIES 16 INLINE CONTACT 2/0 - 4/0 AWG

Electrical Specifications

Max. Amperage: 400A with 4/0 AWG

Max. Voltage: 600V AC/DC

Material Specifications

Contact Material: Brass

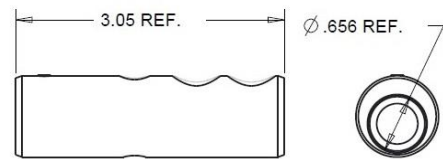
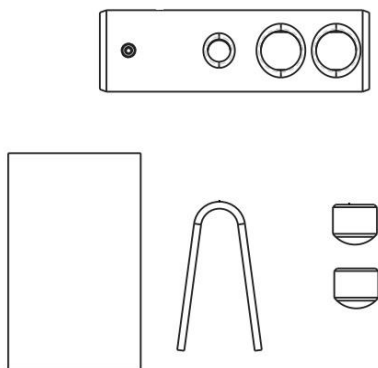
Mechanical Specification

Gender: Female

Connection Type: Double Set Screw

Application

Use with CLSFBOOT for new assemblies. Use as replacement parts for CLS40FB (new version).



SHOWN FOR SIZING