

product specifications for:
CLS Series 18 Contact

Item #: CLS1840FCONT

Description

FEMALE CLS SERIES 18 INLINE CONTACT 2/0 - 4/0 AWG

Electrical Specifications

Max. Amperage: 400A with 4/0 AWG

Max. Voltage: 600V AC/DC

Material Specifications

Contact Material: Brass

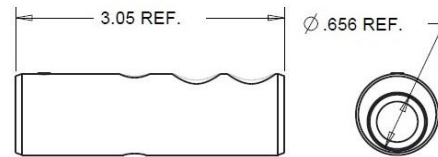
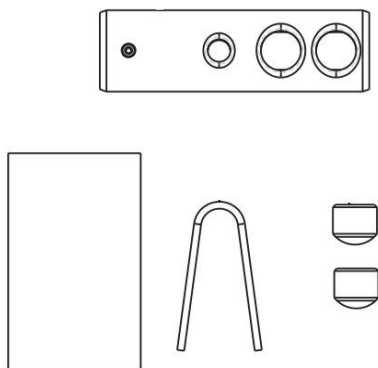
Mechanical Specification

Gender: Female

Connection Type: Double Set Screw

Application

Use with CLS18FBOOT for new assemblies. Use as replacement parts for CLS1840FB (new version).



SHOWN FOR SIZING