

IMPORTANT

Do not use any type of corrosion inhibiting spray such as CRC, INOX etc. on any part of this unit.

These units are hermetically sealed so do not require any other form of sealing.

The studs have been tinned to inhibit corrosion however a petroleum grease may be used (on metal parts only) if required.



BEP MARINE LTD.

13 Tarnsdale Grove
Albany
Auckland 1310 N.Z.
PH 09 415 7261 FAX 09 415 9327

TITLE:

**BEP 720 DP SWITCH
CABLE ATTACHMENT**

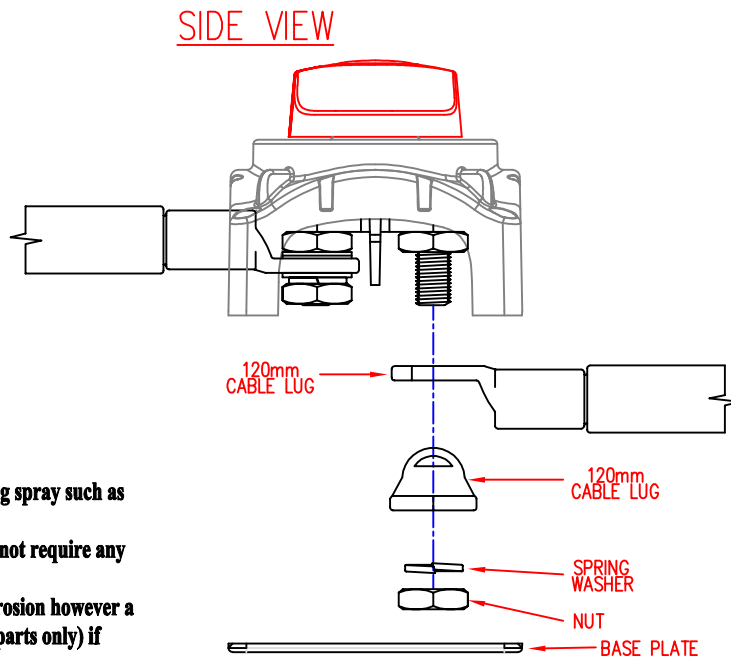
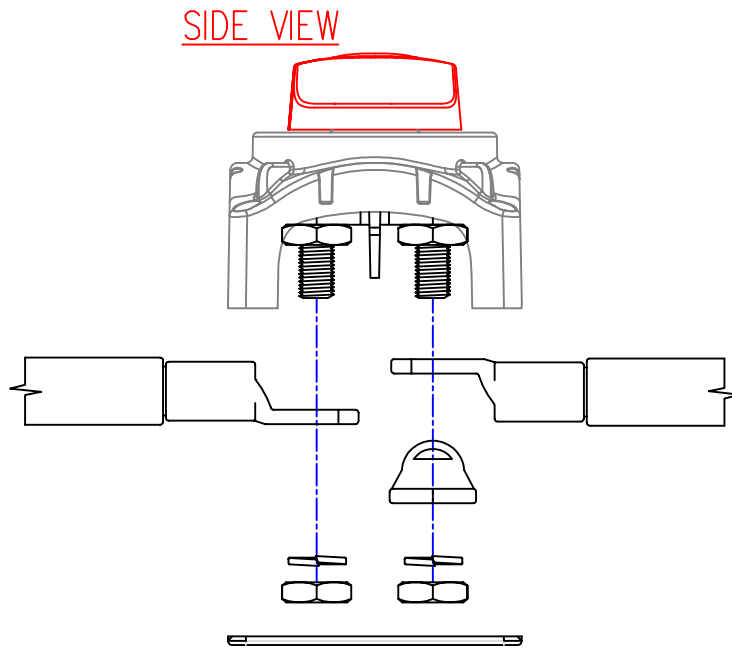
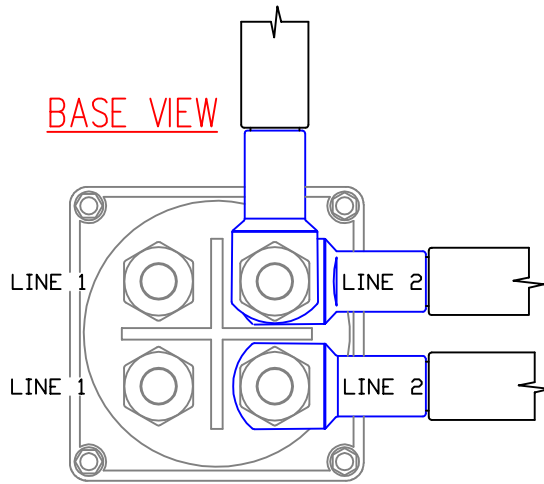
DRAWN S PLAYER

DATE 23/09/04

DWG No.

720 DP

A	B	C	D



IMPORTANT

Do not use any type of corrosion inhibiting spray such as CRC, INOX etc. on any part of this unit.

These units are hermetically sealed so do not require any other form of sealing.

The studs have been tinned to inhibit corrosion however a petroleum grease may be used (on metal parts only) if required.

BEP MARINE LTD.
 13 Tarnsdale Grove
 Albany
 Auckland 1310 N.Z.
 PH 09 415 7261 FAX 09 415 9327

TITLE:
**BEP 720 DP SWITCH
 CABLE ATTACHMENT**

DRAWN	S PLAYER	DATE	23/09/04			
DWG No.	720 DP		A	B	C	D