

4

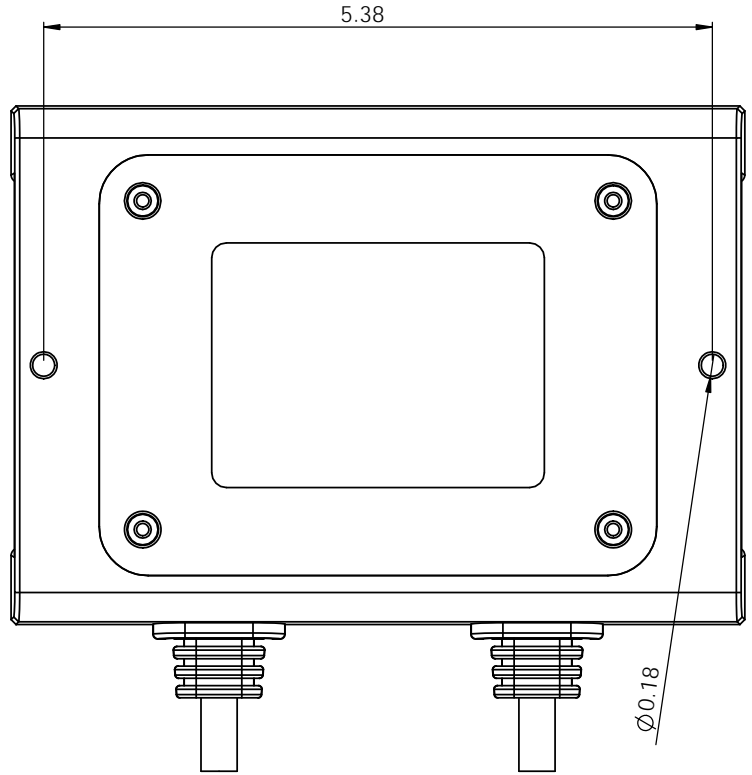
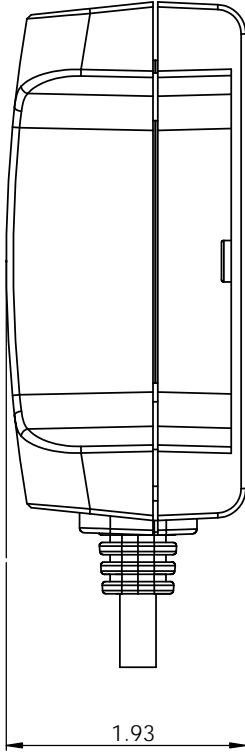
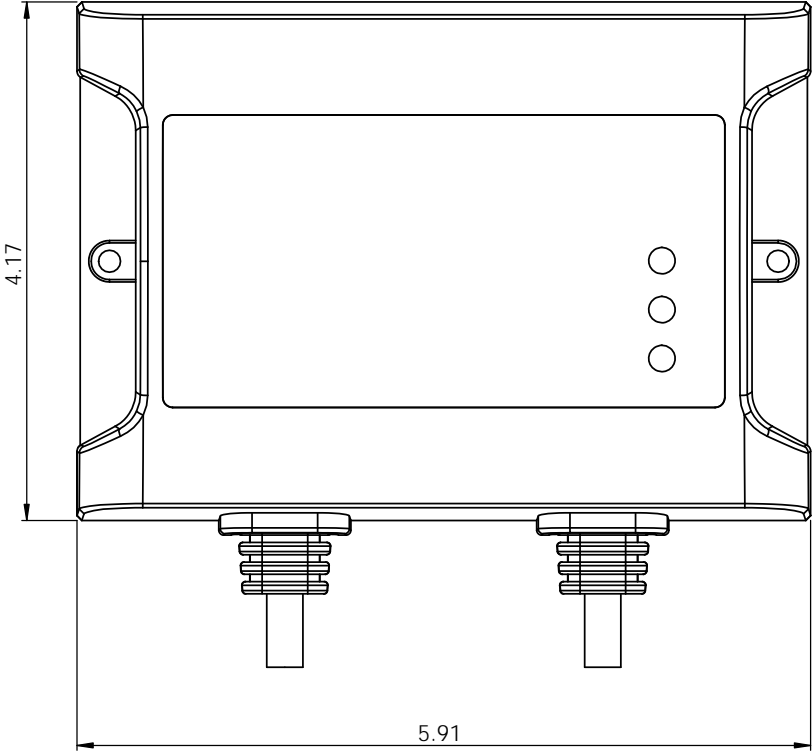
3

2

1

B

B



A

A

PROPRIETARY AND CONFIDENTIAL
 THE INFORMATION CONTAINED IN THIS DRAWING IS THE SOLE PROPERTY OF <INSERT COMPANY NAME HERE>. ANY REPRODUCTION IN PART OR AS A WHOLE WITHOUT THE WRITTEN PERMISSION OF <INSERT COMPANY NAME HERE> IS PROHIBITED.

		UNLESS OTHERWISE SPECIFIED:	NAME	DATE	TITLE: 1.5 GUEST MAINTAINER
		DIMENSIONS ARE IN INCHES	DRAWN		
		TOLERANCES: FRACTIONAL ±	CHECKED		
		ANGULAR: MACH ± BEND ± TWO PLACE DECIMAL ± THREE PLACE DECIMAL ±	ENG APPR.		
		INTERPRET GEOMETRIC TOLERANCING PER:	MFG APPR.		SIZE B
		MATERIAL	Q.A.		
NEXT ASSY	USED ON	FINISH	COMMENTS:		REV
APPLICATION		DO NOT SCALE DRAWING			SCALE: 1:2
					WEIGHT:
					SHEET 1 OF 1

4

3

2

1