

product specifications for:

Cam Protective Covers

Item #: 203445

Description

45 Degree Panel Mount - cover adapter bracket

Material Specifications

Bracket Material: Stainless Steel

Mounting Screws: Stainless Steel

Mechanical Specification

Fits all Marinc Power Products 45 Degree Panel Mounts (Male and Female)

- CLS45MRSB and CLS45FRSB
- CLS45MRB and CLS45FRB
- CLS45MR2SB and CLS45FR2SB
- CLS45MRB-BB and CLS45FRB-BB
- CLS45MRB-BB2 and CLS45FRB-BB2

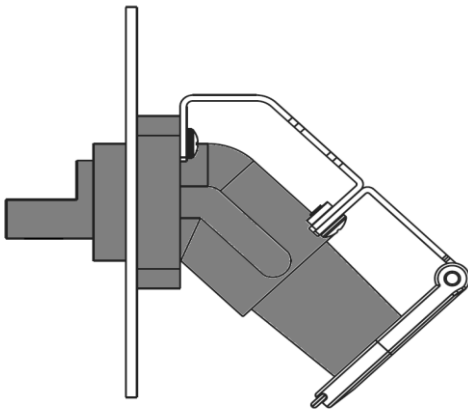
Fits all Marinc Power Products CL40WTC covers:

- CL40WTC-L-125: Surface Mount Cover
- CL40WTC-S-062: Through Mount (.370" to .400" panel thickness)
- CL40WTC-L-187: Through Mount (.070" to .090" panel thickness)

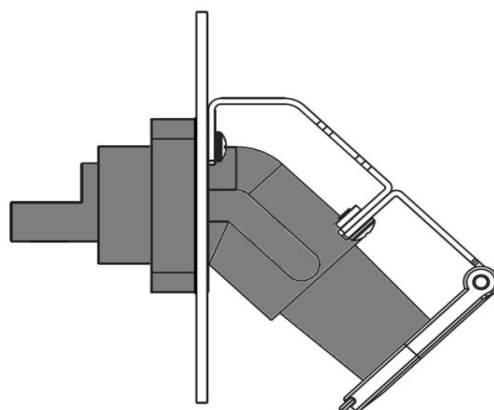
Qty: 2 #10-32 Phillips drive screws included to mount bracket to CL40WTC cover
Screws not included to mount bracket to panel mount (#10-32 recommended)

Standards and Certifications

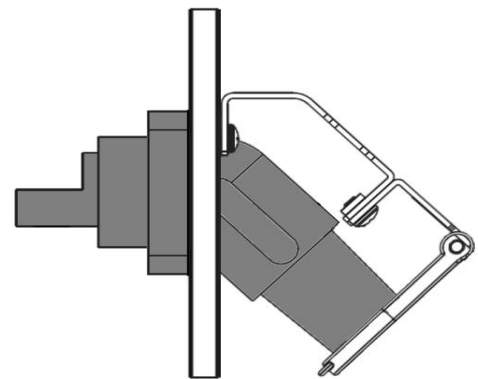
Environmental Rating: Type 1R with CL40WTC cover



CL40WTC-L-125



CL40WTC-L-187



CL40WTC-S-062

toll free 800.307.6702 | marincopowerproducts.com

©2015 Marinc Power Products. All rights reserved.

MARINCO
power products