

product specifications for:

Straight Adapters

Item #: S15-30

Description

Straight Adapter 15A 125V Male Straight Blade to 30A 125V Female Locking with LED Power Indicator

Electrical Specifications

Max. Amperage: 15A
Max. Voltage: 125V

Material Specifications

Shell: Nylon
Contacts: Nickel-Plated Brass
Terminals: Nickel-Plated Brass
Terminal Screws: Nickel-Plated Brass
Plug Bodies: Nylon
Assembly Screws: Stainless Steel
Max. Temperature: 125°C

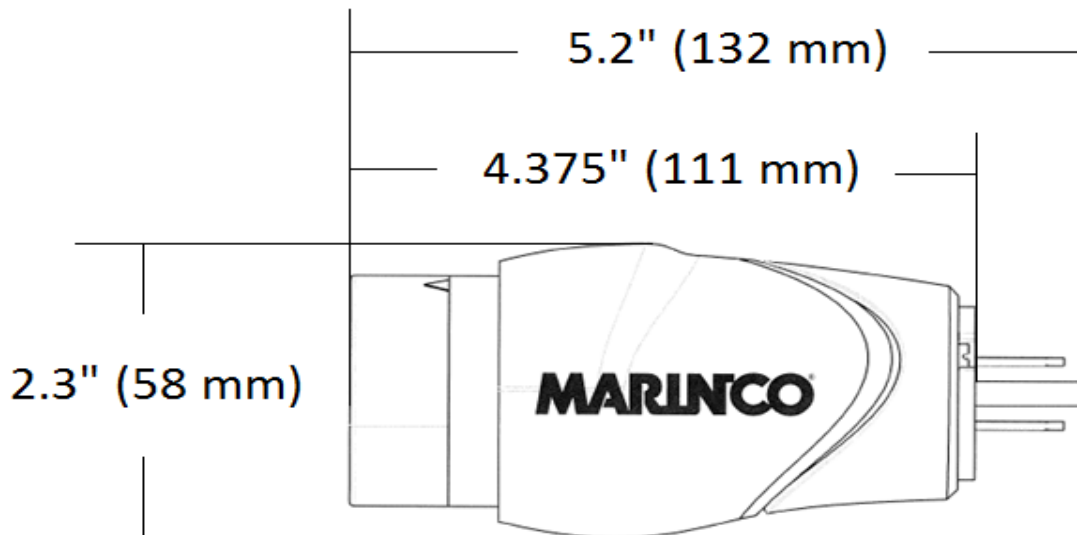
Mechanical Specification

Connection Type(s): NEMA 5-15P Straight Blade
NEMA L5-30R Twist-Lock



Standards and Certifications

CSA Listed: File 081290_0_000



30A 125V
Locking



15A 125V
Straight Blade

toll free 800.307.6702 | marinco.com

MARINCO