

Web site: www.marinco.com

Phone: 800-307-6702

Date: July, 2011

Rev: 01

Receptacle
50A, 250V
2-Pole, 3-Wire

Catalog Number: CS8269

Item: Receptacle, locking

Rating: 50 amperes, 250 volts, 2-pole, 3-wire.

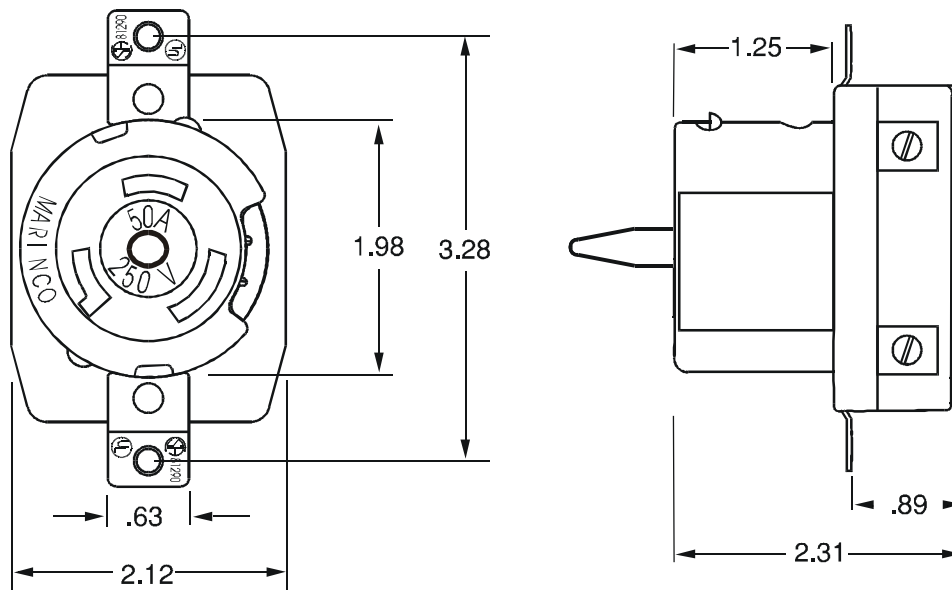
Materials: All plastic parts are glass-filled, heat resistant nylon with a UL flammability rating of 94V-0.

Terminals: Terminals have 5/16" screws with Perma-Lock™ collar to encapture the wire strands. The terminal screw does not bear down on the wire.

Contacts: Solid brass, two-piece construction, secured by two solid rivets. Rigid half is 0.10" thick. Spring half is 0.04" thick.

Listings: UL listed, File E111198
CSA certified, File LR81290

Dimensions:



Dimensions shown in inches