

product specifications for:

50A Wiring Devices

Item #: CS6375FL

Description

Flanged inlet, locking.

Electrical Specifications

50 amperes, 125/250 volts, 3-pole, 4-wire

Material Specifications

Flange Material: Nylon
Contact Material: Brass
Cover: Molded flexible vinyl

Terminals

Brass, Perma-Lock design.

Terminal Marking:

Terminal lugs are color coded.

Ground wire entrance hot stamped green and marked "G"

Neutral wire entrance hot stamped white and marked "W"

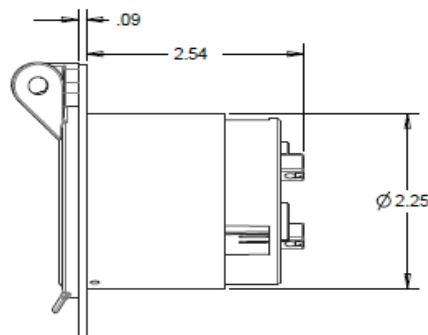
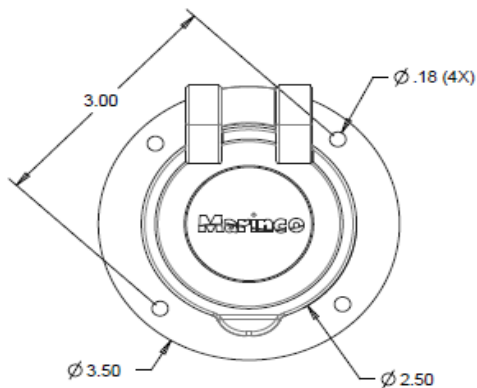
Phase wire entrances colored red and black and marked "X" and "Y"

Listings

UL listed, File E57672

CSA certified, File LR81290

Dimensions:



Dimensions shown in inches

