

product specifications for:

CLS 45 Degree Panel Mounts

Item #: CLS45MRSB

Description

CAM CLS 45 1-1/8" threaded stud Male Panel Mount

Electrical Specifications

Max. Amperage: 400A

Max. Voltage: 600V AC/DC

Short Circuit Rating (SCCR): 35kA (UL 508)

Tested at rated voltage with no circuit protection

Material Specifications

Housing Material: Santoprene TPV

Contact Material: One piece solid Brass

Temperature Rating: -40°C to 105°C

Mechanical Specification

Gender: Male

Connection Type: 1/2"-13 X 1.125" threaded stud
(Torque to 25 ft.-lbs., do not over tighten)

Mounting: Brass eyelet for #10-32 through bolt
(Bolts Not Provided)



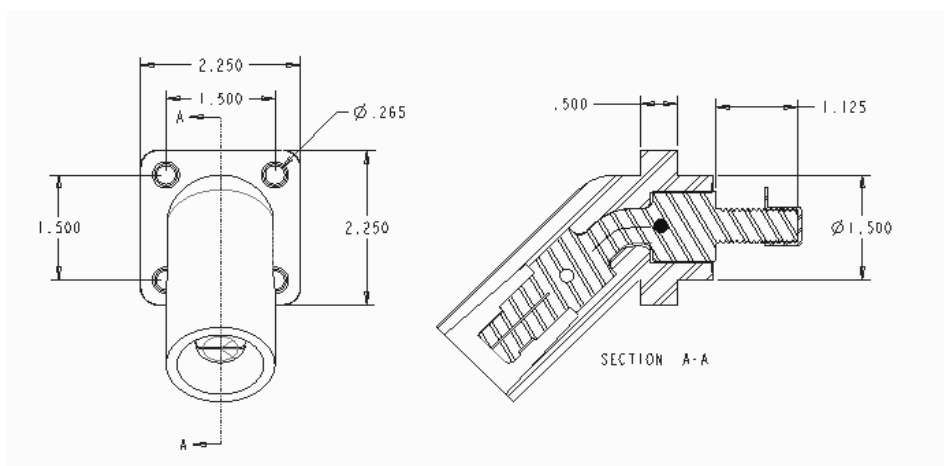
Standards and Certifications

UL Listed: File E471676

CSA Certified: 0812900000

Environmental Rating: Type 3R & 4

Example: CLS45MRSB + **A** = CLS45MRSB-A



toll free 800.307.6702 | marincopowerproducts.com

©2015 Marinc Power Products. All rights reserved.

MARINCO
power products