

product specifications for:

# CLS 45 Degree Panel Mounts

## Item #: CLS45MRB

### Description

CAM CLS 45 Double Set Screw Male Panel Mount

### Electrical Specifications

Max. Amperage: 400A

Max. Voltage: 600V AC/DC

Short Circuit Rating (SCCR): 35kA (UL 508)

Tested at rated voltage with no circuit protection

### Material Specifications

Housing Material: Santoprene TPV

Contact Material: One piece solid Brass

Temperature Rating: -40°C to 105°C

### Mechanical Specification

Gender: Male

Connection Type: Double Set Screw

(Torque to 150 in.-lbs., do not over tighten)

Cable Range: 2/0 – 4/0 AWG

Mounting: Brass eyelet for #10-32 through bolt



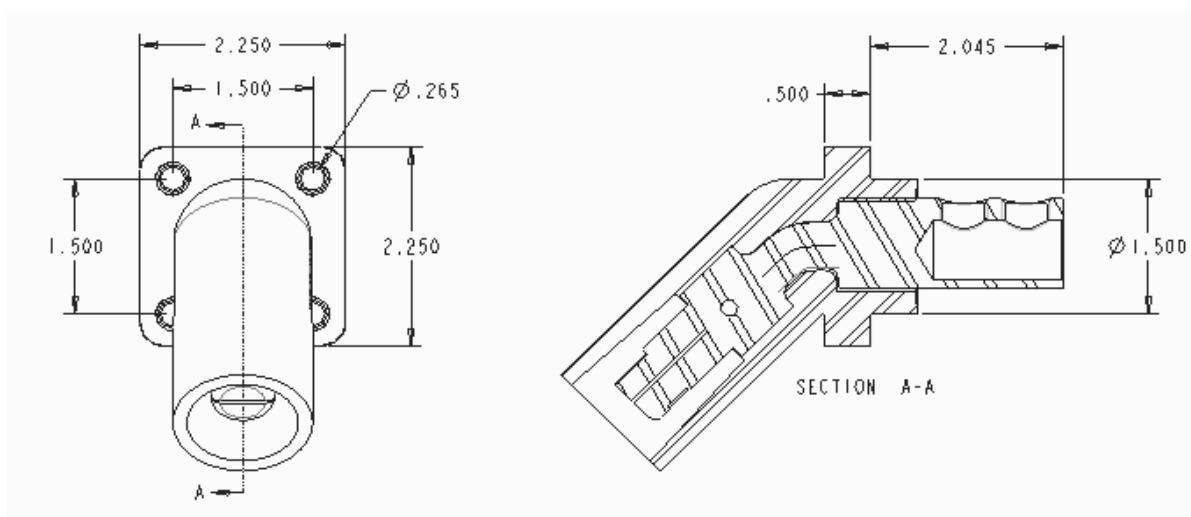
### Standards and Certifications

UL Listed: File E471676

CSA Certified: 0812900000

Environmental Rating: Type 3R & 4

Example: CLS45MRB + **A** = CLS45MRB-A



toll free 800.307.6702 | [marincopowerproducts.com](http://marincopowerproducts.com)

©2015 Maringo Power Products. All rights reserved.

**MARINCO**  
power products