

product specifications for:

# CLS 45 Degree Panel Mounts

## Item #: CLS45MR2SB

### Description

CAM CLS 45 2" threaded stud Male Panel Mount

### Electrical Specifications

Max. Amperage: 400 A

Max. Voltage: 600 V AC/DC

Short Circuit Rating (SCCR): 35kA (UL 508)

Tested at rated voltage with no circuit protection

### Material Specifications

Housing Material: Santoprene TPV

Contact Material: One piece solid Brass

Temperature Rating: -40°C to 105°C

### Mechanical Specification

Gender: Male

Connection Type: 1/2"-13 X 1.25" threaded stud  
(Torque to 25 ft.-lbs., do not over tighten)

Mounting: Brass eyelet for #10-32 through bolt  
(Bolts Not Provided)



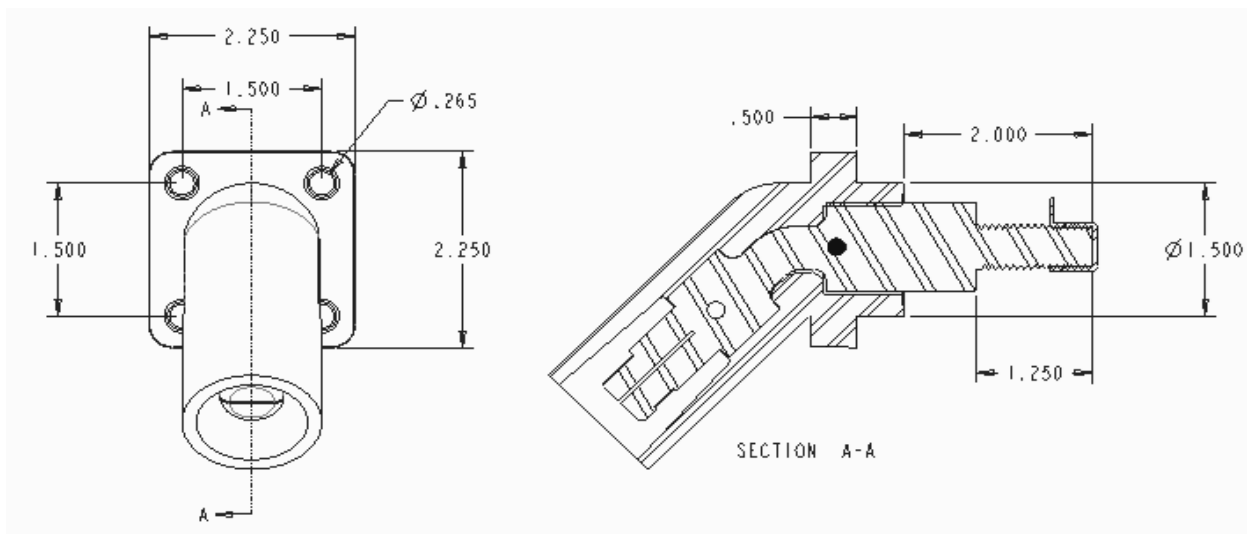
### Standards and Certifications

UL Listed: File E471676

CSA Certified: 0812900000

Environmental Rating: Type 3R & 4

Example: CLS45MR2SB + **A** = CLS45MR2SB-A



toll free 800.307.6702 | [marincopowerproducts.com](http://marincopowerproducts.com)

©2015 Maringo Power Products. All rights reserved.

**MARINCO**  
power products