

product specifications for:
CLS 45 Degree Panel Mounts

Item #: CLS45FRSB

Description

CAM CLS 45 1-1/8" threaded stud Female Panel Mount

Electrical Specifications

Max. Amperage: 400A

Max. Voltage: 600V AC/DC

Short Circuit Rating (SCCR): 35kA (UL 508)

Tested at rated voltage with no circuit protection

Material Specifications

Housing Material: Santoprene TPV

Contact Material: One piece solid Brass

Temperature Rating: -40°C to 105°C

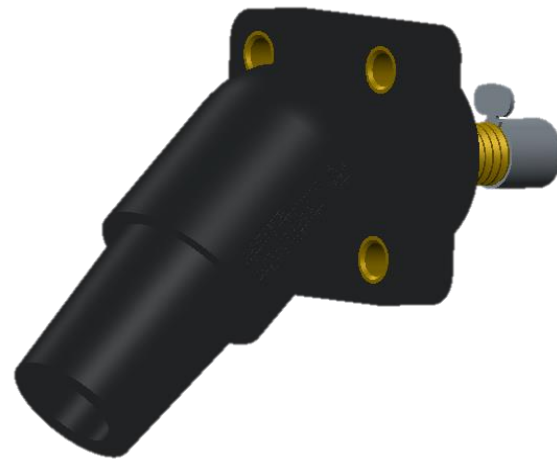
Mechanical Specification

Gender: Female

Connection Type: 1/2"-13 X 1.125" threaded stud
(Torque to 25 ft.-lbs., do not over tighten)

Mounting: Brass eyelet for #10-32 through bolt
(Bolts Not Provided)

Example: CLS45FRSB + **A** = CLS45FRSB-A



Standards and Certifications

UL Listed: File E471676

CSA Certified: 0812900000

Environmental Rating: Type 3R & 4

