

product specifications for:

CLS 40 Panel Mounts

Item #: CLS40MRB-BB2

Description

CAM CLS 40 Two hole bus bar 5/16"-18 thread Male Panel Mount

Electrical Specifications

Max. Amperage: 400A

Max. Voltage: 600V AC/DC

Short Circuit Rating (SCCR): 35kA (UL 508)

Tested at rated voltage with no circuit protection

Material Specifications

Housing Material: Santoprene TPV

Contact Material: Brass

Temperature Rating: -40°C to 105°C

Mechanical Specification

Gender: Male

Connection Type: Two holes 5/16"-18 thread bus bar

(Torque to 100 in.-lbs., do not over tighten)

Mounting: Brass eyelet for #10-32 bolt

(Bolts Not Provided)

Example: CLS40MRB-BB2 + **A** = CLS40MRB-BB2-A

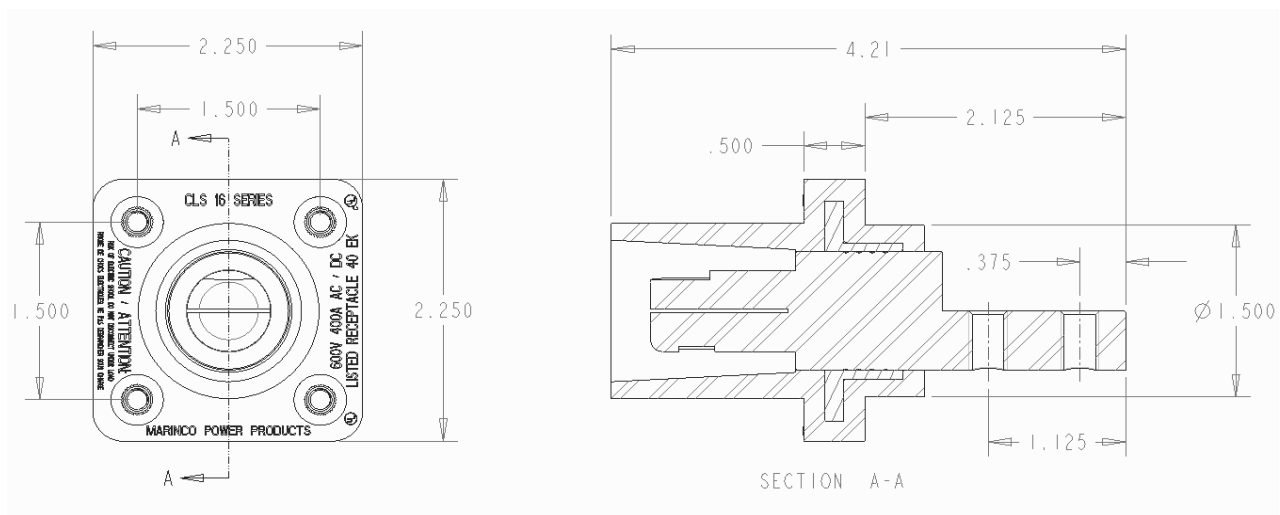


Standards and Certifications

UL Listed: File E471676

CSA Certified: 0812900000

Environmental Rating: Type 3R & 4



toll free 800.307.6702 | marincopowerproducts.com

©2015 Marinc Power Products. All rights reserved.

MARINCO
power products