

product specifications for:

# CLS Series 18 Inline Cams

**Item #: CLS1840FB**

**Description**

FEMALE CLS SERIES 18 INLINE 2/0 - 4/0 AWG

**Electrical Specifications**

Max. Amperage: 400A with 4/0 AWG  
 Max. Voltage: 600V AC/DC

**Material Specifications**

Housing Material: Santoprene TPV  
 Contact Material: Brass  
 Temperature Rating: -40°C to 105°C

**Mechanical Specification**

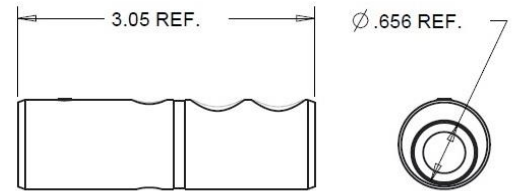
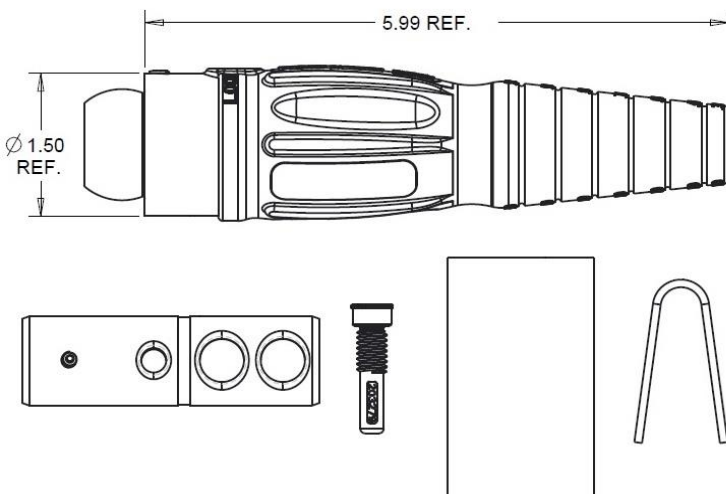
Gender: Female  
 Connection Type: Double Set Screw  
 (Torque to 160 in-lbs.)  
 Retaining Screw: Glass Filled / Heat Stabilized Nylon

Example: CLS1840MB + **A** = CLS1840MB-A



**Standards and Certifications**

UL Listed: File E471676  
 CSA Certified: 0812900000  
 Environmental Rating: Type 3R & 4



SHOWN FOR SIZING

