

product specifications for:

CLS Series 18 Inline Cams

Item #: CLS1820FB

Description

FEMALE CLS SERIES 18 INLINE #2 - 2/0 AWG

Electrical Specifications

Max. Amperage: 300A with 2/0 AWG
 Max. Voltage: 600V AC/DC

Material Specifications

Housing Material: Santoprene TPV
 Contact Material: Brass
 Temperature Rating: -40°C to 105°C

Mechanical Specification

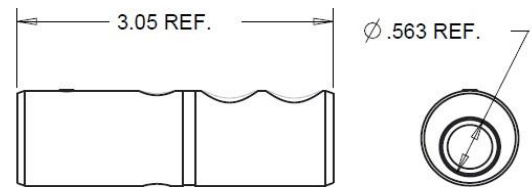
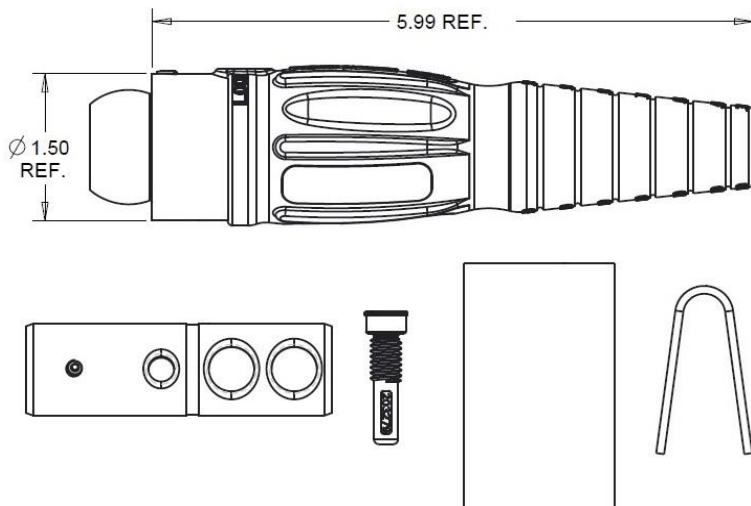
Gender: Female
 Connection Type: Double Set Screw
 (Torque to 160 in-lbs.)
 Retaining Screw: Glass Filled / Heat Stabilized Nylon

Example: CLS1820MB + **A** = CLS1820MB-A



Standards and Certifications

UL Listed: File E471676
 CSA Certified: 081290000
 Environmental Rating: Type 3R & 4



SHOWN FOR SIZING

