

product specifications for:

CL 16 Series Panel Mounts

Item #: CL40FRB-BB

Description

CL Single Hole Bus Bar Female Panel Mount

Electrical Specifications

Max. Amperage: 400A

Max. Voltage: 600V AC/DC

Material Specifications

Housing Material: Nylon

Contact Material: Brass

Temperature Rating: -40°C to 125°C

Mechanical Specification

Gender: Female

Connection Type: Single Hole bus bar - 5/16"-18 Thread

Cable Range: N/A

Mounting: Brass insert for #10-32 screw

(Screws are not provided)



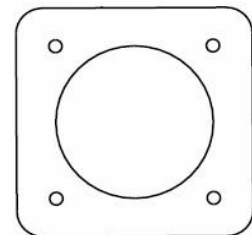
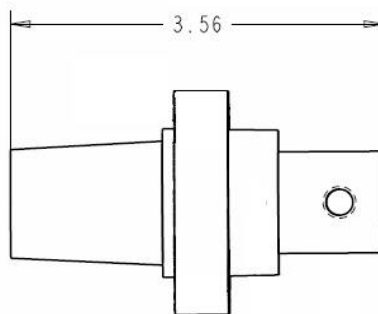
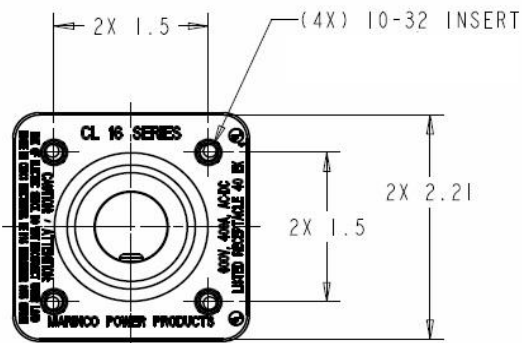
Standards and Certifications

UL Listed: File E471676

CSA Certified: 0812900000

Environmental Rating: Type 3R & 4

Example: CL40FRB-BB + **A** = CL40FRB-BB-A



toll free 800.307.6702 | marincopowerproducts.com

©2015 Marincó Power Products. All rights reserved.

MARINCO
power products