

Web site: www.marinco.com

Phone: 800-307-6702

Date: July, 2011

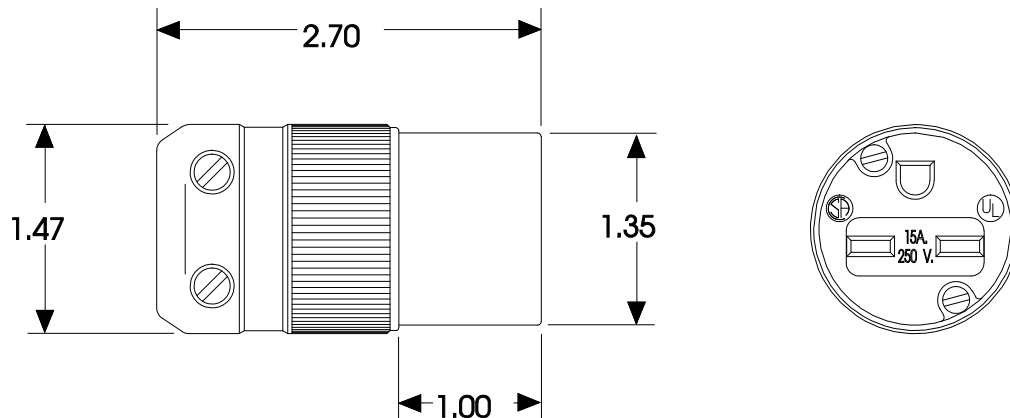
Rev: 02

Connector, straight
15A, 250V
NEMA 6-15R

Catalog Number: 5669

- Item: Connector, straight blade
- Rating: 15 amperes, 250 volts, NEMA Configuration 6-15R
- Materials: Housing and plug body are nylon with CTI greater than 600 volts. Contacts are solid brass.
- Contacts: One piece, .040" thick brass. Line contacts are triple wipe, ground contact is double wipe.
- Terminals: Tempered brass, lug style, Perma-Lock™ design. Terminals visible through clear end cap.
- Terminal Identification: Terminal screws are color coded. Ground wire entrance hot stamped green and marked "GR."
- Cord Clamp: Internal. Accommodates 18/3 SJ through 12/3 S cable.
- Overall Design: Two assembly screws, U-drive style. All screws are combination slot/cross head. Beveled housing. Dust seal at cord entry. Cable strip length gauge molded into connector body.
- Listings: UL listed, File E57672
CSA certified, File LR81290

Dimensions:



Dimensions shown in inches