

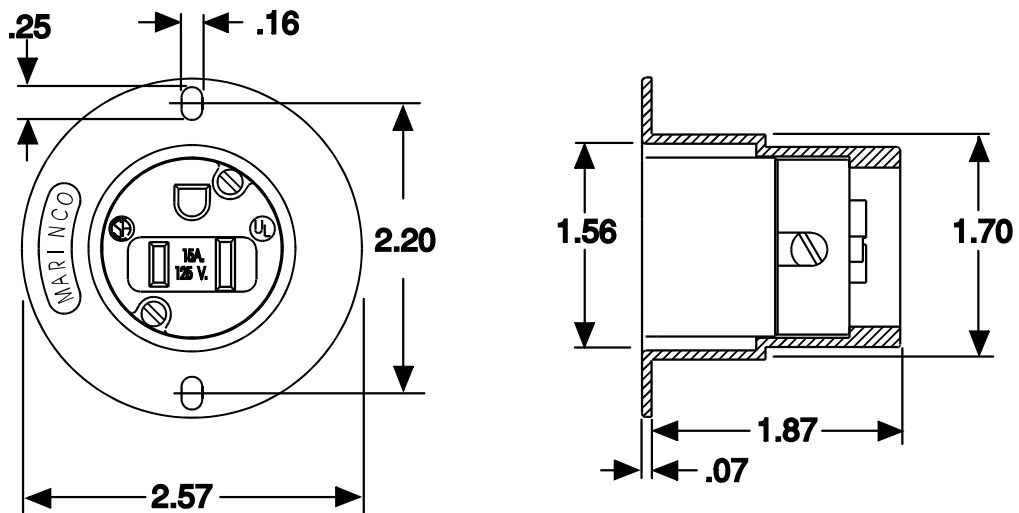
Web site: www.marinco.com
Phone: 800-307-6702
Date: December, 2010 Rev: 03

Flanged outlet, straight
15A, 125V
NEMA 5-15R

Catalog Number: 5279

- Item:** Flanged outlet, straight blade
- Rating:** 15 amperes, 125 volts, NEMA Configuration 5-15R
- Materials:** Device body and flange are nylon with CTI greater than 600 volts.
Contacts are solid brass.
- Contacts:** One piece, .040" thick brass.
Line contacts are triple wipe.
Ground contact is double wipe.
- Terminals:** Tempered brass, lug style, Perma-Lock™ design.
Terminals visible through clear end cap.
- Terminal Identification:** Terminal screws are color coded.
Ground wire entrance hot stamped green and marked "GR."
Line wire entrance hot stamped black.
- Listings:** UL listed, File E57672
CSA certified, File LR81290

Dimensions:



Dimensions shown in inches