

Web site: www.marinco.com

Phone: 800-307-6702

Date: July, 2011

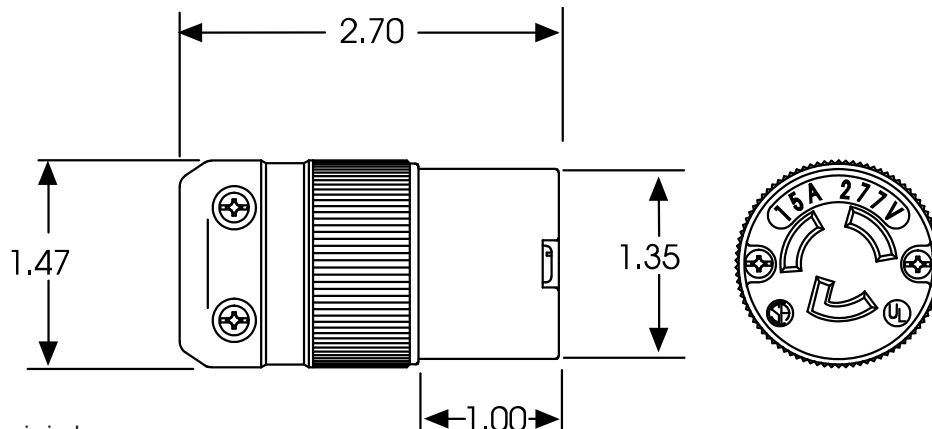
Rev: 01

Connector, locking
15A, 277V
NEMA L7-15R

Catalog Number: 4779

- Item: Connector, locking
- Rating: 15 amperes, 277 volts, NEMA Configuration L7-15R
- Materials: Housing and plug body are nylon with CTI greater than 600 volts.
- Contacts: One piece, .040" thick brass.
- Terminals: Tempered brass, lug style, Perma-Lock™ design.
Terminals visible through clear end cap.
- Terminal Identification: Terminal screws are color coded.
Ground wire entrance hot stamped green and marked "GR."
Line wire entrance hot stamped black.
- Cord Clamp: Internal. Accommodates 18/3 SJ through 12/3 S cable.
- Overall Design: Two assembly screws, U-drive style.
All screws are combination slot/cross head.
Beveled housing. Dust seal at cord entry.
Cable strip length gauge molded into plug body.
- Listings: UL listed, File E57672
CSA certified, File LR81290

Dimensions:



Dimensions shown in inches