

bates® LISTED INSTRUCTIONS 53Z2

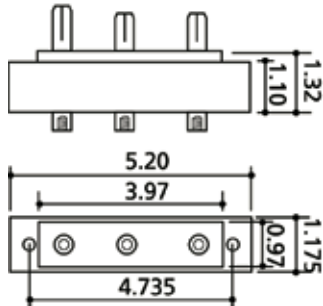
CONNECTOR PLUG

PANEL MOUNT PRODUCT NUMBERS

60FR, 100FR & 106FR FEMALE CONNECTOR 60MR, 100MR & 106MR MALE CONNECTOR

- Panel cut out 1.000" x 4.000"
- Insert device from the rear through cutout in panel
- Secure from front panel with two 1/4"-20 x 1-1/4" mounting screws to 15 in/lb torque
- Terminate with #1/4 - 20 ring terminals crimped onto wires

(Dimensions below shown in inches)



MARINCO ELECTRICAL GROUP

PH: +1 707 226-9600 / FAX: +1 707 226-9670

WEB: WWW.MARINCO.COM 470114 / 05-08

bates® LISTED INSTRUCTIONS 53Z2

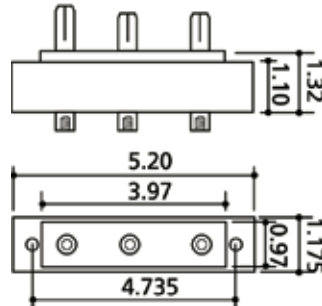
CONNECTOR PLUG

PANEL MOUNT PRODUCT NUMBERS

60FR, 100FR & 106FR FEMALE CONNECTOR 60MR, 100MR & 106MR MALE CONNECTOR

- Panel cut out 1.000" x 4.000"
- Insert device from the rear through cutout in panel
- Secure from front panel with two 1/4"-20 x 1-1/4" mounting screws to 15 in/lb torque
- Terminate with #1/4 - 20 ring terminals crimped onto wires

(Dimensions below shown in inches)



MARINCO ELECTRICAL GROUP

PH: +1 707 226-9600 / FAX: +1 707 226-9670

WEB: WWW.MARINCO.COM 470114 / 05-08

bates® LISTED INSTRUCTIONS 53Z2

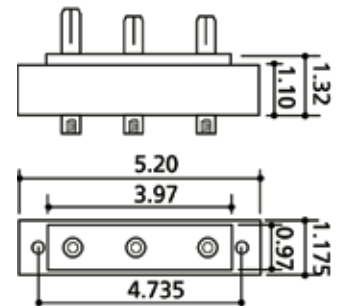
CONNECTOR PLUG

PANEL MOUNT PRODUCT NUMBERS

60FR, 100FR & 106FR FEMALE CONNECTOR 60MR, 100MR & 106MR MALE CONNECTOR

- Panel cut out 1.000" x 4.000"
- Insert device from the rear through cutout in panel
- Secure from front panel with two 1/4"-20 x 1-1/4" mounting screws to 15 in/lb torque
- Terminate with #1/4 - 20 ring terminals crimped onto wires

(Dimensions below shown in inches)



MARINCO ELECTRICAL GROUP

PH: +1 707 226-9600 / FAX: +1 707 226-9670

WEB: WWW.MARINCO.COM 470114 / 05-08

bates® LISTED INSTRUCTIONS 53Z2

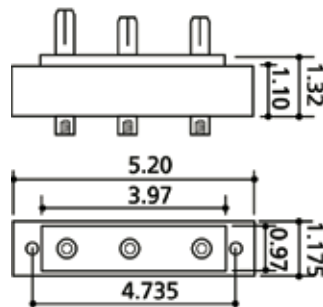
CONNECTOR PLUG

PANEL MOUNT PRODUCT NUMBERS

60FR, 100FR & 106FR FEMALE CONNECTOR 60MR, 100MR & 106MR MALE CONNECTOR

- Panel cut out 1.000" x 4.000"
- Insert device from the rear through cutout in panel
- Secure from front panel with two 1/4"-20 x 1-1/4" mounting screws to 15 in/lb torque
- Terminate with #1/4 - 20 ring terminals crimped onto wires

(Dimensions below shown in inches)



MARINCO ELECTRICAL GROUP

PH: +1 707 226-9600 / FAX: +1 707 226-9670

WEB: WWW.MARINCO.COM 470114 / 05-08

bates® LISTED INSTRUCTIONS 53Z2

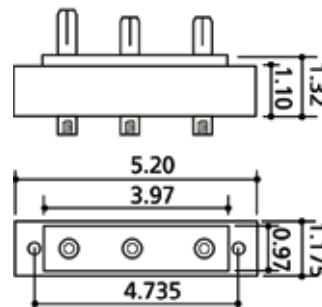
CONNECTOR PLUG

PANEL MOUNT PRODUCT NUMBERS

60FR, 100FR & 106FR FEMALE CONNECTOR 60MR, 100MR & 106MR MALE CONNECTOR

- Panel cut out 1.000" x 4.000"
- Insert device from the rear through cutout in panel
- Secure from front panel with two 1/4"-20 x 1-1/4" mounting screws to 15 in/lb torque
- Terminate with #1/4 - 20 ring terminals crimped onto wires

(Dimensions below shown in inches)



MARINCO ELECTRICAL GROUP

PH: +1 707 226-9600 / FAX: +1 707 226-9670

WEB: WWW.MARINCO.COM 470114 / 05-08

bates® LISTED INSTRUCTIONS 53Z2

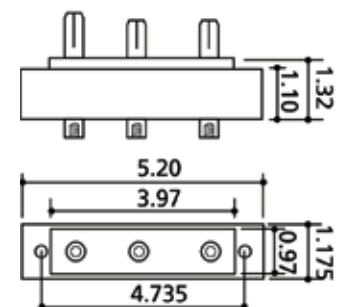
CONNECTOR PLUG

PANEL MOUNT PRODUCT NUMBERS

60FR, 100FR & 106FR FEMALE CONNECTOR 60MR, 100MR & 106MR MALE CONNECTOR

- Panel cut out 1.000" x 4.000"
- Insert device from the rear through cutout in panel
- Secure from front panel with two 1/4"-20 x 1-1/4" mounting screws to 15 in/lb torque
- Terminate with #1/4 - 20 ring terminals crimped onto wires

(Dimensions below shown in inches)



MARINCO ELECTRICAL GROUP

PH: +1 707 226-9600 / FAX: +1 707 226-9670

WEB: WWW.MARINCO.COM 470114 / 05-08