

Web site: www.marinco.com

Phone: 800-307-6702

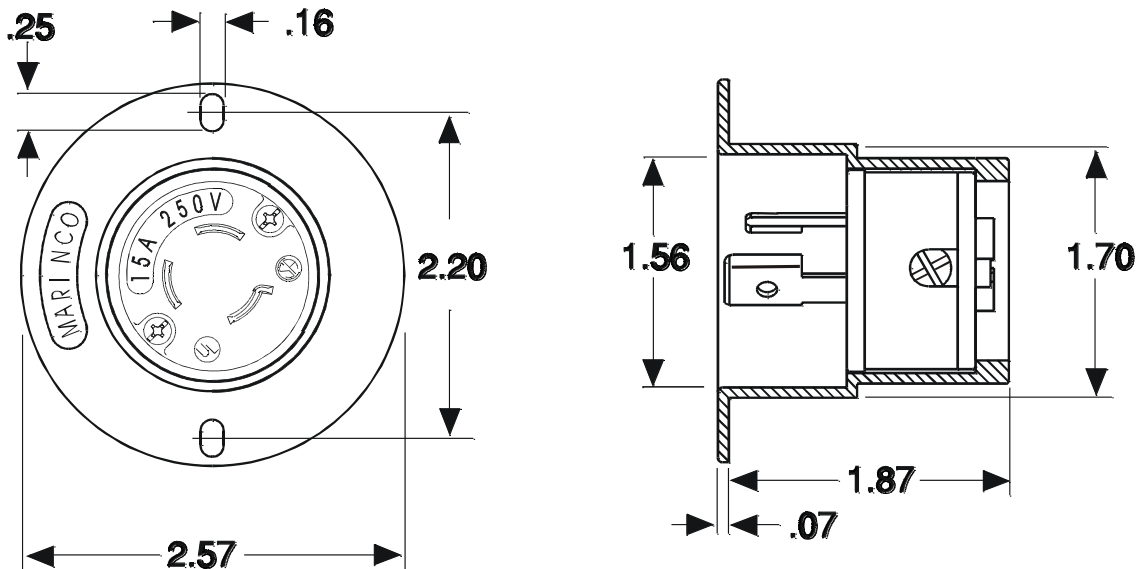
Date: July, 2011 Rev: 01

Flanged Inlet, locking
15A, 250V
NEMA L6-15P

Catalog Number: 4586

- Item: Flanged Inlet, locking
- Rating: 15 amperes, 250 volts, NEMA Configuration L6-15P
- Materials: Device body and flange are nylon with CTI greater than 600 volts. Blades are solid brass, .060" thick.
- Terminals: Tempered brass, lug style, Perma-Lock™ design. Terminals visible through clear end cap.
- Terminal Identification: Terminal screws are color coded. Ground wire entrance hot stamped green and marked "GR."
- Listings: UL listed, File E57672
CSA certified, File LR81290

Dimensions:



Dimensions shown in inches