

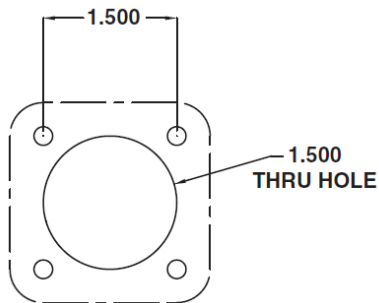
**Panel Mount 400A/600V, Double Set Screw
NEMA 3R, 4 when mated with inline cam.**

Mounting Instructions:

1. Prepare panel as shown in mounting pattern below.
2. Mount receptacle to panel using Qty (4) #10-32 UNF bolts (not provided).

Wiring Instructions:

1. Use 2/0 to 4/0 cable, copper.
2. Wrap copper foil around exposed wire
3. Using an (7/32") Allen wrench, tighten 1/2-20 set screws to 150 in-lbs (17 N-m) of torque.



Mounting Pattern: Not to Scale (Dimensions in inches)

Cable Size AWG	75° C Cable	90° C Cable
2/0	235A	300A
3/0	275A	350A
4/0	315A	400A

**CAUTION - RISK OF ELECTRIC SHOCK.
DO NOT DISCONNECT UNDER LOAD
ATTENTION - RISQUE DE CHOC ÉLECTRIQUE.
NE PAS DÉBRANCHER SOUS CHARGE**



Tech Support and Customer Service 800.307.6702
Email: Technical@Marinco.com
Website: www.marincopowerproducts.com

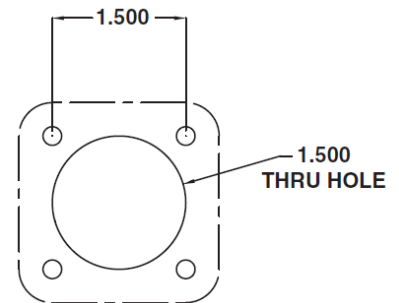
**Panel Mount 400A/600V, Double Set Screw
NEMA 3R, 4 when mated with inline cam.**

Mounting Instructions:

1. Prepare panel as shown in mounting pattern below.
2. Mount receptacle to panel using Qty (4) #10-32 UNF bolts (not provided).

Wiring Instructions:

1. Use 2/0 to 4/0 cable, copper.
2. Wrap copper foil around exposed wire
3. Using an (7/32") Allen wrench, tighten 1/2-20 set screws to 150 in-lbs (17 N-m) of torque.



Mounting Pattern: Not to Scale (Dimensions in inches)

Cable Size AWG	75° C Cable	90° C Cable
2/0	235A	300A
3/0	275A	350A
4/0	315A	400A

**CAUTION - RISK OF ELECTRIC SHOCK.
DO NOT DISCONNECT UNDER LOAD
ATTENTION - RISQUE DE CHOC ÉLECTRIQUE.
NE PAS DÉBRANCHER SOUS CHARGE**



Tech Support and Customer Service 800.307.6702
Email: Technical@Marinco.com
Website: www.marincopowerproducts.com