

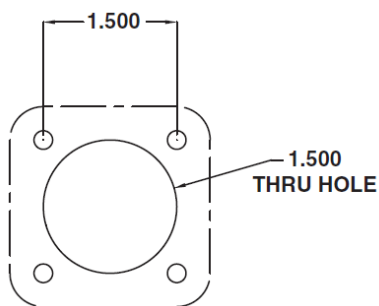
**Panel Mount 400A/600V, 1/2-13 UNC Threaded Stud
NEMA 3R, 4 when mated with inline cam.**

Mounting Instructions:

1. Prepare panel as shown in mounting pattern below.
2. Mount receptacle to panel using Qty (4) #10-32 UNF bolts (not provided).

Wiring Instructions:

1. Use up to 250-MCM cable, copper.
2. Attach appropriate ring terminal to end of cable.
3. Locate ring terminal over stud and secure with lock washer and 1/2-13 UNC nut. Torque nut to 25 ft.-lbs (34 N-m). Do not over-tighten.



Mounting Pattern: Not to Scale (Dimensions in inches)

Cable Size AWG	75° C Cable	90° C Cable
#2	150A	190A
#1	170A	220A
1/0	200A	260A
2/0	235A	300A
3/0	275A	350A
4/0	315A	400A

**CAUTION - RISK OF ELECTRIC SHOCK.
DO NOT DISCONNECT UNDER LOAD
ATTENTION - RISQUE DE CHOC ÉLECTRIQUE.
NE PAS DÉBRANCHER SOUS CHARGE**



Tech Support and Customer Service 800.307.6702
Email: Technical@Marinco.com
Website: www.marincopowerproducts.com

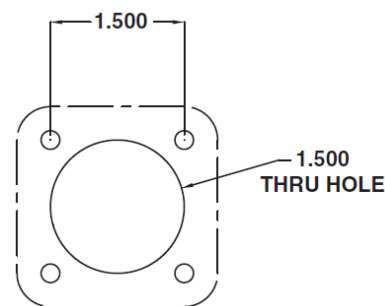
**Panel Mount 400A/600V, 1/2-13 UNC Threaded Stud
NEMA 3R, 4 when mated with inline cam.**

Mounting Instructions:

1. Prepare panel as shown in mounting pattern below.
2. Mount receptacle to panel using Qty (4) #10-32 UNF bolts (not provided).

Wiring Instructions:

1. Use up to 250-MCM cable, copper.
2. Attach appropriate ring terminal to end of cable.
3. Locate ring terminal over stud and secure with lock washer and 1/2-13 UNC nut. Torque nut to 25 ft.-lbs (34 N-m). Do not over-tighten.



Mounting Pattern: Not to Scale (Dimensions in inches)

Cable Size AWG	75° C Cable	90° C Cable
#2	150A	190A
#1	170A	220A
1/0	200A	260A
2/0	235A	300A
3/0	275A	350A
4/0	315A	400A

**CAUTION - RISK OF ELECTRIC SHOCK.
DO NOT DISCONNECT UNDER LOAD
ATTENTION - RISQUE DE CHOC ÉLECTRIQUE.
NE PAS DÉBRANCHER SOUS CHARGE**



Tech Support and Customer Service 800.307.6702
Email: Technical@Marinco.com
Website: www.marincopowerproducts.com