

Web site: www.marinco.com

Phone: 800-307-6702

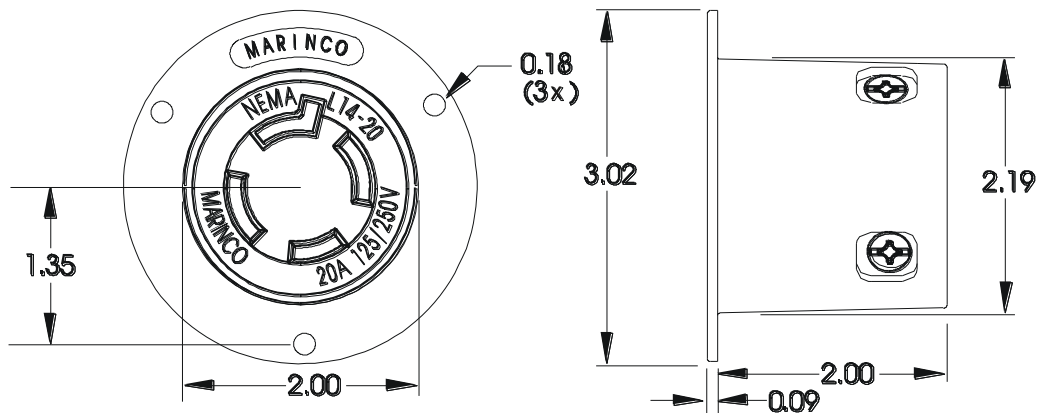
Date: July, 2011

Rev: 03

Flanged Outlet, locking
20A, 125/250V
3-Pole, 4-Wire

Catalog Number: 2014FO

- Item: Flanged outlet, locking.
- Rating: 20 amperes, 125/250 volts, 3-pole, 4-wire.
- Configuration: NEMA L14-20R
- Materials: Flange is nylon.
Connector body is nylon with a CTI greater than 600volts.
End cap is clear polycarbonate.
- Terminals: Clamp-type, with color coded brass terminal screws, 10-32,
combination slot/cross head. Cross head accommodates #2 driver.
- Contacts: Line contacts are brass, rivetless one-piece construction, 0.040" thick.
- Certifications: Underwriters Laboratories, Inc. File E111198
Canadian Standards Association File LR81290
- Dimensions:



Dimensions shown in inches