

Web site: www.marinco.com

Phone: 800-307-6702

Date: June 2013

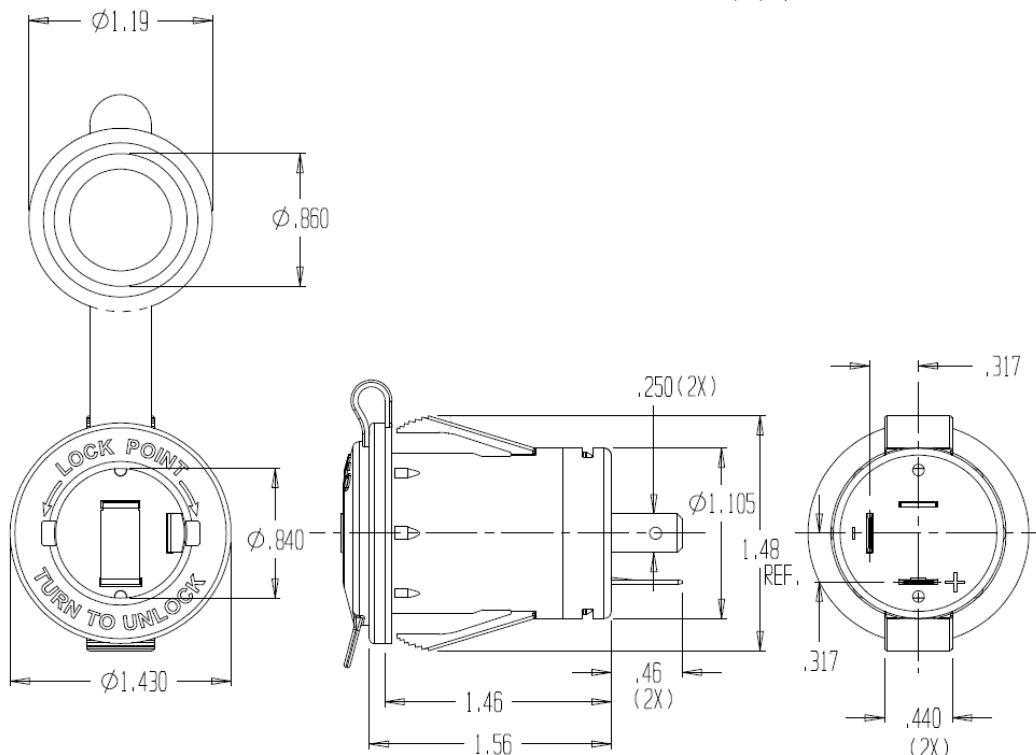
Rev: 01

Receptacle, snap-in, 12V
"Cigarette lighter" style

Catalog Number: 12VRCSP.OEM

- Item:** Receptacle, snap-in, 12 volt
- Rating:** 12V, 15A
- Materials:** Plastic parts are high-temperature, glass-filled nylon. Metal current carrying parts are .032" copper alloy for maximum conductivity and nickel plated for maximum corrosion protection.
- Terminals:** NEMA .250" quick connect tabs.
- Mounting:** Front mount snap-in style. Maximum panel thickness that it can effectively hold up to 0.188"
- Construction:** Provided with plastic alloy cap to seal receptacle when not in use. Receptacle provided with recesses to lock 12VPG plug to prevent inadvertent disconnection; disengages when plug is rotated 30°.

Dimensions:



PANEL CUT-OUT

